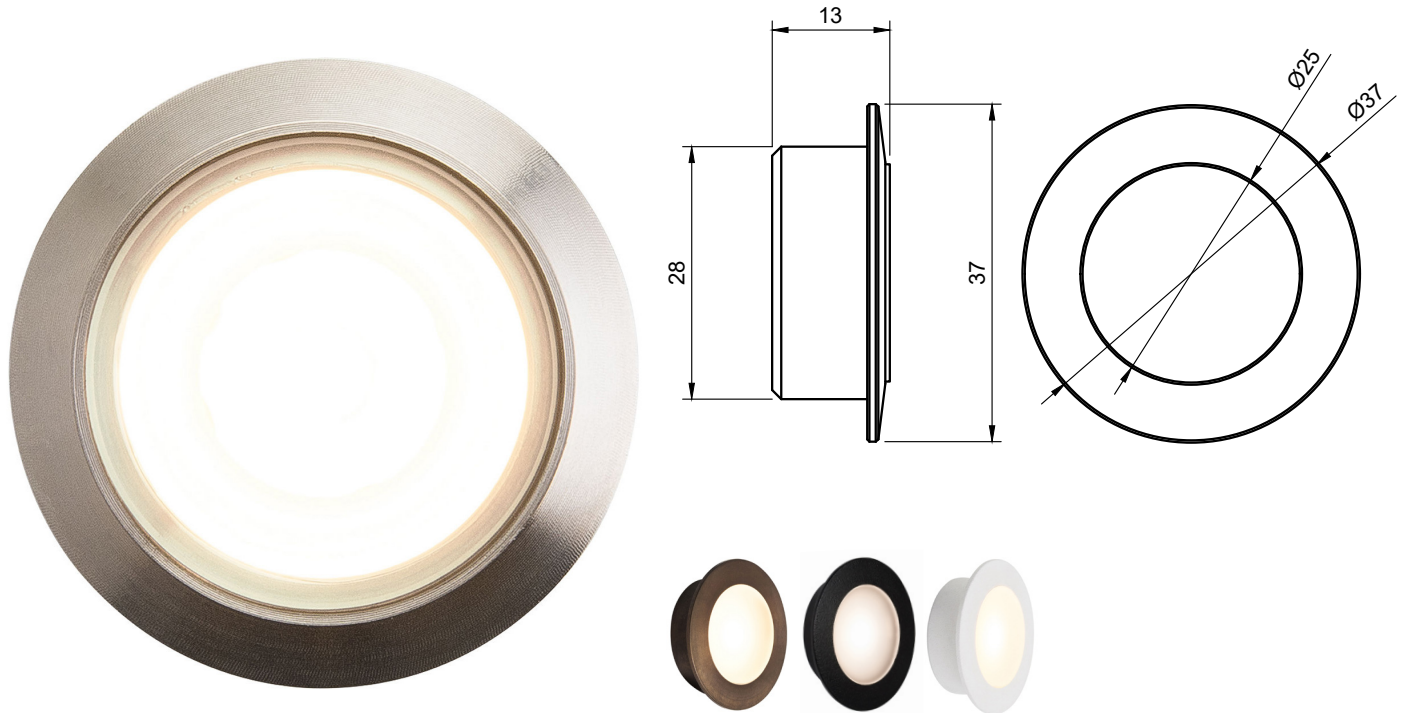


Description:

Recessed miniature downlight, ideal for recessing or surface mounting in shallow depths. 1Watt CREE XLAMP XP-G3, various colour temperatures, beam angles and finishes available. Machined solid brass or Machined Aluminium 6061 body, Borosilicate Glass Lens, accessories available. Resin Sealed Cable Gland, Stainless Steel hinge Screws, pre-fitted Double insulated exterior rated cable. IP67.



Technical:

LED TYPE	CREE XLAMP XP-G3	CONTROL GEAR	REMOTE
RATED POWER	1W	DIMMING PROTOCOL	DALI - 0-10V - PHASE DIM - ON/OFF
CRI	80	CABLE LENGTH	500MM STANDARD LENGTH
BEAM ANGLES	NOMINATED IN TABLE BELOW	MOUNTING OPTIONS	RECESSED
INPUT POWER / FORWARD VOLTAGE	350mA / 3V	WEIGHT	0.2KG
NOMINAL LUMENS	190lm	HARDWARE	GLASS LENS, O-RING, GLAND, CABLE
IP RATING	IP65	CONSTRUCTION	MACHINED METAL & HEATSINK
COLOUR TEMPERATURE	2700K - 3000K - 4000K	WARRANTY	2 YEARS

Product Generator: example 9910CC-AB-M-30-R-1W-DALI-HC

Model	Finish	Beam Angle	CCT	Mounting	Wattage	Dimming	Accessory
NL9910CC	AB Aged Brass	N Narrow 10°	27 2700K	R Recessed	1W / 350mA	DALI	HC Honeycomb Louver
	BR Brushed Brass	M Medium 21°	30 3000K	SM Surface Mount		0-10V	
	SS Stainless Steel	W Wide 33°	40 4000K			Phase	
	PB Black					On/Off	
	PW White						
	CC Custom						

NL9910	-	-	-	-	-	-	-
--------	---	---	---	---	---	---	---