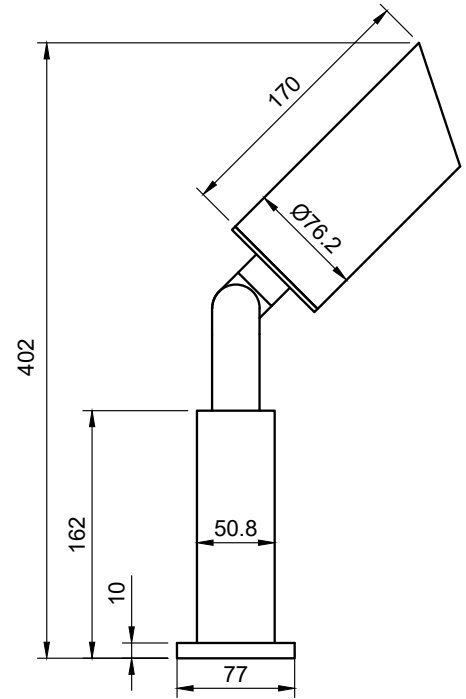


Description:

Belonging to the **Firefly Family** range, the Firefly XL, one of the original Fireflies, offers a simple, clean aesthetic available in various colour temperatures, optics, finishes and control options. The Firefly Family offers a variety of products suitable for various applications. The products contain the same LED chip and optics for a consistent approach. Supplied with cable gland and double insulated cable. The Firefly Family also consists of a **Firefly Standard**, **Micro** and **Deco** range creating a full suite of products.



Technical:

LED TYPE	VERO 13	CONTROL GEAR	REMOTE
RATED POWER	18W	DIMMING PROTOCOL	DALI - 0-10V - PHASE DIM - ON/OFF
CRI	80	CABLE LENGTH	500MM STANDARD LENGTH
BEAM ANGLES	NOMINATED IN TABLE BELOW	MOUNTING OPTIONS	SURFACE MOUNTED
INPUT POWER / FORWARD VOLTAGE	500mA / 36V	WEIGHT	1-2KG
NOMINAL LUMENS	1200lm	HARDWARE	GLASS LENS, O-RING, GLAND, CABLE
IP RATING	IP65	CONSTRUCTION	MACHINED METAL & HEATSINK
COLOUR TEMPERATURE	2700K - 3000K - 4000K	WARRANTY	2 YEARS

Product Generator: example 7031-PB-M-30-F-14W-1-2

Model	Finish	Beam Angle	CCT	Mounting	Wattage	Dimming	Accessory
NL7031	AB Aged Brass	N Narrow 10°	27 2700K	F Floor	14W /500mA	1 DALI	1 Honeycomb Louver
	BR Brushed Brass	M Medium 21°	30 3000K			2 0-10V	2 Diffuser Lens
	PB Black	W Wide 33°	40 4000K			3 Phase	3 Elliptical Lens 26°x41°
	PW White					4 On/Off	
	CC Custom						

NL7031	-		-		-		-	
--------	---	--	---	--	---	--	---	--