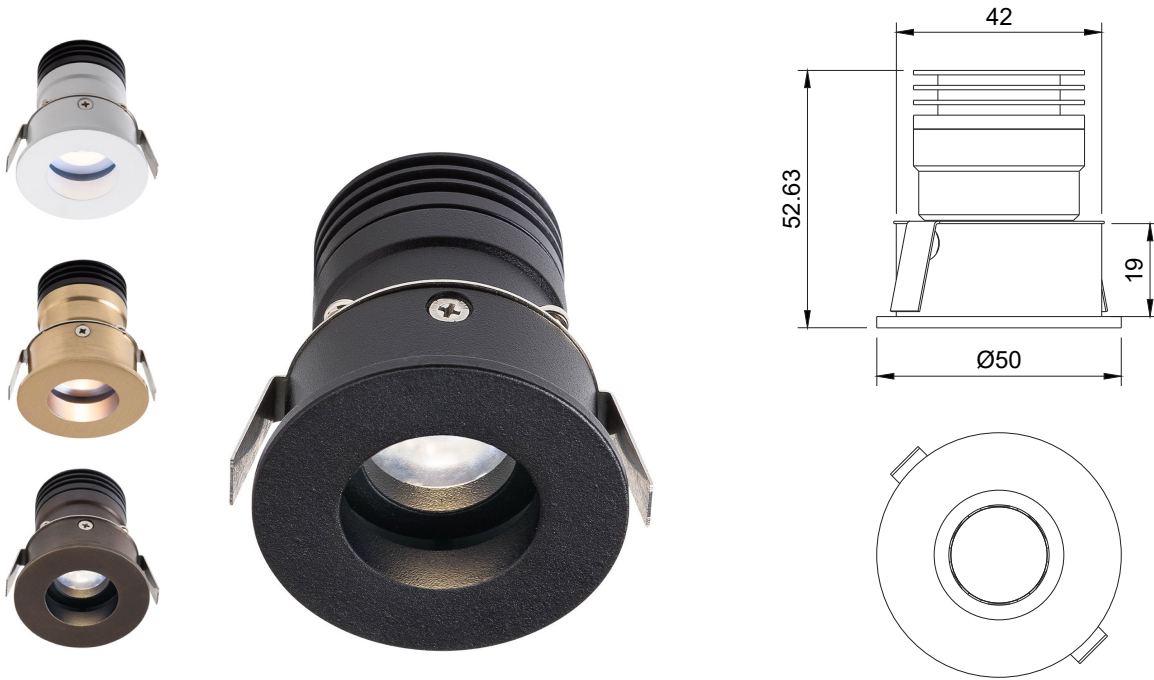




Description:

Belonging to the **Firefly Family** range, the Firefly Micro Downlight offers a simple, clean aesthetic available in various colour temperatures, optics, finishes and control options. The Firefly Family offers a variety of products suitable for various applications. The products contain the same LED chip and optics for a consistent approach. Supplied with cable gland and double insulated cable. The Family also consists of a **Firefly, XL** and **Deco** range creating a full suite of products.



Technical:

LED TYPE	XHP-50	CONTROL GEAR	REMOTE
RATED POWER	4W / 6W	DIMMING PROTOCOL	DALI - 0-10V - PHASE DIM - ON/OFF
CRI	80	CABLE LENGTH	500MM STANDARD LENGTH
BEAM ANGLES	NOMINATED IN TABLE BELOW	MOUNTING OPTIONS	RECESSED
INPUT POWER / FORWARD VOLTAGE	350mA / 700mA - 8V / 9V	WEIGHT	0.2KG
NOMINAL LUMENS	406lm - 812lm	HARDWARE	GLASS LENS, O-RING, GLAND, CABLE
IP RATING	IP44	CONSTRUCTION	MACHINED METAL & HEATSINK
COLOUR TEMPERATURE	2700K - 3000K - 4000K	WARRANTY	2 YEARS

Product Generator: example 7001-AB-M-30-R-4W-1-1

Model	Finish	Beam Angle	CCT	Mounting	Wattage	Dimming	Accessory
NL7001	AB Aged Brass	N Narrow 10°	27 2700K	R Recessed	4W / 350mA	DALI	HC Honeycomb Louver
	BR Brushed Brass	M Medium 21°	30 3000K		6W / 700mA	0-10V	DL Diffuser Lens
	PB Black	W Wide 33°	40 4000K			Phase	
	PW White					On/Off	
	CC Custom						

NL7001	-		-		-		-	
--------	---	--	---	--	---	--	---	--