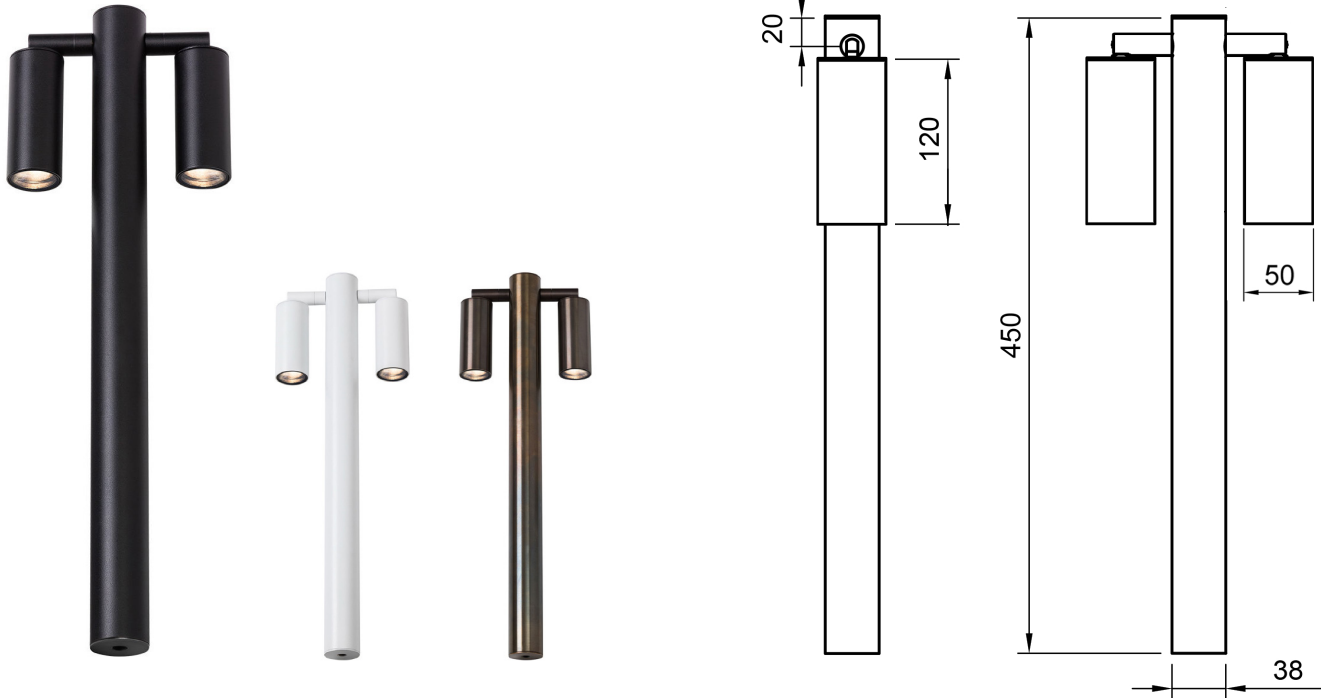


Description:

Belonging to the **Firefly Family** range, the Firefly Bollard Double offers a simple, clean aesthetic available in various colour temperatures, optics, finishes and control options. The Firefly Family offers a variety of products suitable for various applications. The products contain the same LED chip and optics for a consistent approach. Supplied with cable gland and double insulated cable. The Firefly Family also consists of a **Micro**, **XL** and **Deco** range creating a full suite of products.



Technical:

LED TYPE	XHP-50 Gen 2	CONTROL GEAR	REMOTE
RATED POWER	2X 4W / 6W / 9W	DIMMING PROTOCOL	DALI - 0-10V - PHASE DIM - ON/OFF
CRI	80	CABLE LENGTH	500MM STANDARD LENGTH
BEAM ANGLES	NOMINATED IN TABLE BELOW	MOUNTING OPTIONS	SURFACE MOUNTED
INPUT POWER	NOMINATED IN TABLE BELOW	WEIGHT	ON REQUEST
NOMINAL LUMENS	2X 495lm - 1485lm	HARDWARE	GLASS LENS, O-RING, GLAND, CABLE
IP RATING	IP65	CONSTRUCTION	MACHINED METAL & HEATSINK
COLOUR TEMPERATURE	2700K - 3000K - 4000K	WARRANTY	2 YEARS

Product Generator: example 7010CC-PB-M-30-S-4W-1-2

Model	Finish	Beam Angle	CCT	Mounting	Wattage	Dimming	Accessory
NL7010CC	AB Aged Brass	N Narrow 10°	27 2700K	S Surface	4W / 350mA	1 DALI	1 Honeycomb Louver
	BR Brushed Brass	M Medium 21°	30 3000K		6W / 700mA	2 0-10V	2 Diffuser Lens
	PB Black	W Wide 33°	40 4000K		9W / 1050mA	3 Phase	
	PW White	E Elliptical 26°x41°				4 On/Off	
	CC Custom						
NL7010CV	AB Aged Brass	N Narrow 10°	27 2700K	S Surface	4W / 24V DC	1 1-10V	1 Honeycomb Louver
	BR Brushed Brass	M Medium 21°	30 3000K		6W / 24V DC	2 On/Off	2 Diffuser Lens
	PB Black	W Wide 33°	40 4000K		9W / 24V DC		
	PW White	E Elliptical 26°x41°					
	CC Custom						

-	-	-	-	-	-	-	-
---	---	---	---	---	---	---	---