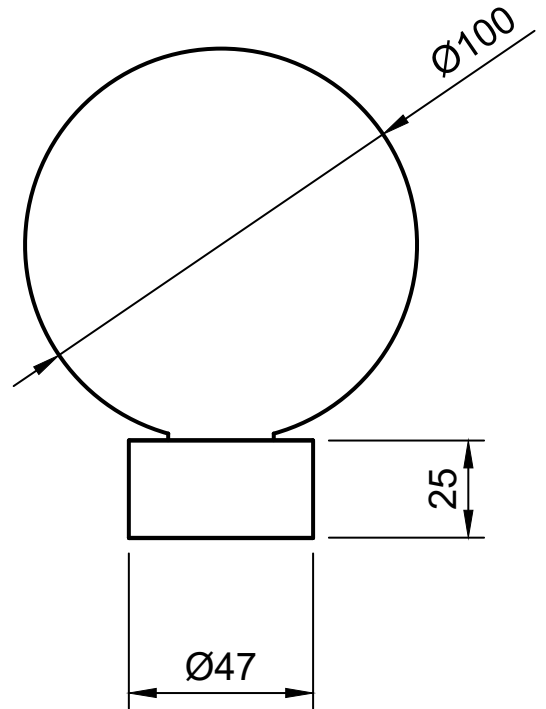


Description:

Surface mounted wall light providing diffused light. Available in 4W or 6W 3Watt CREE XHP-50 Gen 2, various colour temperatures and base finishes. IP44, Machined Solid Metal base, 100mm Frosted Sphere Glass Ball, Pre-fitted exterior rated 500mm lead, surface 'Covert Mounting System'.



Technical:

LED TYPE	XHP-50 Gen 2	CONTROL GEAR	REMOTE
RATED POWER	4W - 6W	DIMMING PROTOCOL	DALI - 0-10V - PHASE DIM - ON/OFF
CRI	80	CABLE LENGTH	500MM STANDARD LENGTH
BEAM ANGLES	NOMINATED IN TABLE BELOW	MOUNTING OPTIONS	SURFACE
INPUT POWER / FORWARD VOLTAGE	350mA - 700mA / 6V	WEIGHT	0.5KG
NOMINAL LUMENS	400lm - 800lm	HARDWARE	GLASS, GLAND, CABLE
IP RATING	IP44	CONSTRUCTION	MACHINED METAL & HEATSINK
COLOUR TEMPERATURE	2700K - 3000K - 4000K	WARRANTY	2 YEARS

Product Generator: example 1150CC-AB-D-30-SM-4W-DALI-N/A

Model	Finish	Beam Angle	CCT	Mounting	Wattage	Dimming	Accessory
NL1150CC	AB Aged Brass	D Diffused	27 2700K	SM Surface	4W / 350mA	DALI	N/A
	BR Brushed Brass		30 3000K		6W / 700mA	0-10V	
	PB Black		40 4000K			Phase	
	PW White					On/Off	
	CC Custom						

NL1150	-	-	-	-	-	-	-
--------	---	---	---	---	---	---	---