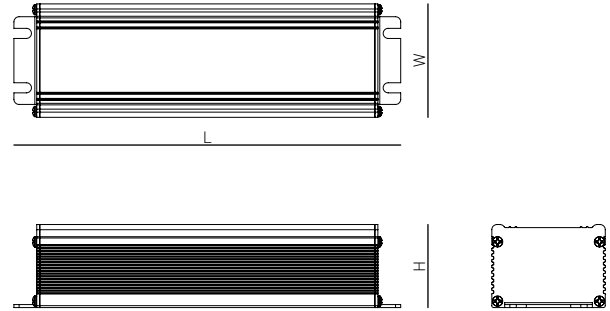


NON DIMMING CV LED DRIVER



SPECIFICATION

	4713.24167	4714.24167	4715.24167	4716.24167	4717.24167	4718.24167
Dimensions	150x44x32mm	150x44x32mm	163x56x35mm	163x56x35mm	163x56x35mm	163x56x35mm
Type	Constant voltage	Constant voltage	Constant voltage	Constant voltage	Constant voltage	Constant voltage
Dimming	-	-	-	-	-	-
IP Rating	IP67	IP67	IP67	IP67	IP67	IP67
Input voltage	85-265VAC	85-265VAC	85-265VAC	85-265VAC	85-265VAC	85-265VAC
Input current	0.20A @230VAC	0.28A @230VAC	0.33A @230VAC	0.40A @230VAC	0.47A @230VAC	0.54A @230VAC
Power factor	> 0.98	> 0.98	> 0.98	> 0.98	> 0.98	> 0.98
Output voltage	24V	24V	24V	24V	24V	24V
Output current	1.25A	1.87A	2.10A	2.50A	3.30A	4.15A
Output power	30W	40W	50W	60W	70W	80W
Safety	Short circuit and over voltage					
Compliance	Safety : EN61347-2-13,IP40 EMC : EN55015, EN61000-3-2, EN61000-4-2,3,4,5,6,8,11, EN61547					

EXPECTED FAILURE RATE & LIFE-TIME

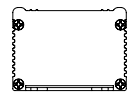
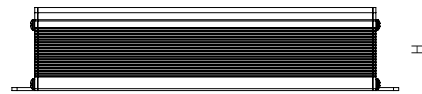
Failure rate	tc @ Max 80°C : <0.2% / 1000hrs	
Life-time	ta 35°C	ta 50°C
	>70,000hrs	>50,000hrs

The LED Driver is designed for a minimum life-time stated above with a probability of less than 10% failure.

ORDERING INFORMATION

4713.24167	30W 24V Constant voltage LED driver
4714.24167	40W 24V Constant voltage LED driver
4715.24167	50W 24V Constant voltage LED driver
4716.24167	60W 24V Constant voltage LED driver
4717.24167	70W 24V Constant voltage LED driver
4718.24167	80W 24V Constant voltage LED driver

NON DIMMING CV LED DRIVER



SPECIFICATION

	47110.24167	47112.24167	47115.24167	47120.24167	47125.24167	47130.24167	47140.24167
Dimensions	163x56x35mm	230x70x40mm	230x70x40mm	250x70x40mm	250x70x40mm	280x95x50mm	280x95x50mm
Type	Constant voltage	Constant voltage	Constant voltage	Constant voltage	Constant voltage	Constant voltage	Constant voltage
Dimming	-	-	-	-	-	-	-
IP Rating	IP67	IP67	IP67	IP67	IP67	IP67	IP67
Input voltage	85-265VAC	85-265VAC	85-265VAC	85-265VAC	85-265VAC	85-265VAC	85-265VAC
Input current	0.64A @230VAC	0.67A @230VAC	1.01A @230VAC	1.35A @230VAC	1.69A @230VAC	2.02A @230VAC	2.02A @230VAC
Power factor	> 0.98	> 0.98	> 0.98	> 0.98	> 0.98	> 0.98	> 0.98
Output voltage	24V	24V	24V	24V	24V	24V	24V
Output current	5.00A	6.25A	8.30A	10.00A	12.50A	14.50A	16.60A
Output power	100W	120W	150W	200W	250W	300W	400W
Safety	Short circuit and over voltage						
Compliance	Safety : EN61347-2-13,IP40 EMC : EN55015, EN61000-3-2, EN61000-4-2,3,4,5,6,8,11, EN61547						

EXPECTED FAILURE RATE & LIFE-TIME

Failure rate	tc @ Max 80°C : <0.2% / 1000hrs	
Life-time	ta 35°C	ta 50°C
	>70,000hrs	>50,000hrs

The LED Driver is designed for a minimum life-time stated above with a probability of less than 10% failure.

ORDERING INFORMATION

47110.24167	100W 24V Constant voltage LED driver
47112.24167	120W 24V Constant voltage LED driver
47115.24167	150W 24V Constant voltage LED driver
47120.24167	200W 24V Constant voltage LED driver
47125.24167	250W 24V Constant voltage LED driver
47130.24167	300W 24V Constant voltage LED driver
47140.24167	400W 24V Constant voltage LED driver