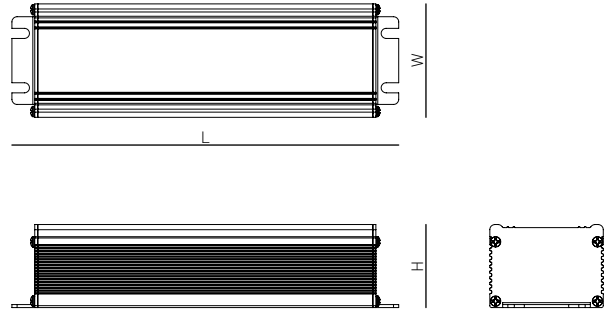


IP67 L/TE CV LED DRIVER



SPECIFICATION

47220.24167

Dimensions	249x72x40mm
Type	Constant voltage
Dimming	Leading / trailing edge
Dimming type	PWM
IP Rating	IP67
Input voltage	220-240VAC
Power factor	> 0.95
Output voltage	24V
Output current	2.7-8.3A
Output power	66-200W
Safety	Open and short circuit, temperature and over load
Compliance	Safety : EN61347-2-13.IP40 EMC : EN55015, EN61000-3-2, EN61000-4-2,3,4,5,6,8,11, EN61547

EXPECTED FAILURE RATE & LIFE-TIME

Failure rate	tc @ Max 80°C : <0.2% / 1000hrs	
Life-time	ta 35°C	ta 50°C
	>70,000hrs	>50,000hrs

The LED Driver is designed for a minimum life-time stated above with a probability of less than 10% failure.

ORDERING INFORMATION

47220.24167 200W 24V Constant voltage leading/trailing edge LED driver