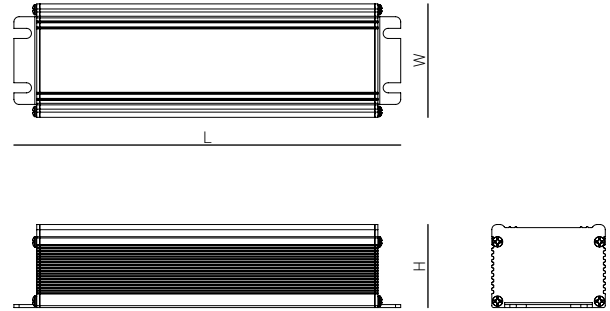


## IP67 DALI CV LED DRIVER



### SPECIFICATION

	4744.24167	4746.24167	4748.24167	47410.24167
<b>Dimensions</b>	163x56x35mm	163x56x35mm	210x70x40mm	230x70x40mm
<b>Type</b>	Constant voltage	Constant voltage	Constant voltage	Constant voltage
<b>Dimming</b>	DALI	DALI	DALI	DALI
<b>Dimming type</b>	PWM	PWM	Voltage reduction	Voltage reduction
<b>IP Rating</b>	IP67	IP67	IP67	IP67
<b>Input voltage</b>	85-265VAC	85-265VAC	85-265VAC	90-265VAC
<b>Input current</b>	0.24A @220VAC	0.33A	0.45A	0.56A
<b>Power factor</b>	> 0.95	> 0.95	> 0.95	> 0.95
<b>Output voltage</b>	24VDC	24VDC	24VDC	24VDC
<b>Output current</b>	1.87A	2.50A	3.30A	4.20A
<b>Output power</b>	45W	60W	80W	100W
<b>Safety</b>	Short circuit and over voltage			
<b>Compliance</b>	Safety : EN61347-2-13.IP40 EMC : EN55015, EN61000-3-2, EN61000-4-2,3,4,5,6,8,11, EN61547			

### EXPECTED FAILURE RATE & LIFE-TIME

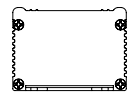
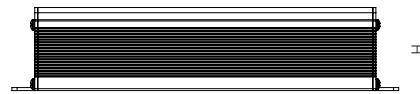
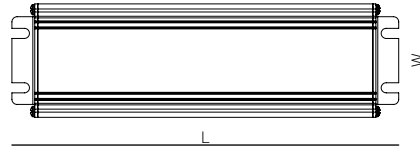
<b>Failure rate</b>	tc @ Max 80°C : <0.2% / 1000hrs	
<b>Life-time</b>	ta 35°C	ta 50°C
	>70,000hrs	>50,000hrs

The LED Driver is designed for a minimum life-time stated above with a probability of less than 10% failure.

### ORDERING INFORMATION

4744.24167	45W 24V Constant voltage DALI LED driver
4746.24167	60W 24V Constant voltage DALI LED driver
4748.24167	80W 24V Constant voltage DALI LED driver
47410.24167	100W 24V Constant voltage DALI LED driver

## IP67 DALI CV LED DRIVER



### SPECIFICATION

	47412.24167	47415.24167	47420.24167	47424.24167	47440.24167
<b>Dimensions</b>	230x70x40mm	230x70x40mm	250x70x40mm	260x95x50mm	280x95x50
<b>Type</b>	Constant voltage	Constant voltage	Constant voltage	Constant voltage	Constant voltage
<b>Dimming</b>	DALI	DALI	DALI	DALI	DALI
<b>Dimming type</b>	Voltage reduction	Voltage reduction	Voltage reduction	Voltage reduction	
<b>IP Rating</b>	IP67	IP67	IP67	IP67	IP67
<b>Input voltage</b>	90-265VAC	90-265VAC	90-265VAC	90-265VAC	90-265VAC
<b>Input current</b>	0.67A	0.84A	1.05A	1.06A	1.9A
<b>Power factor</b>	> 0.95	> 0.95	> 0.95	> 0.95	> 0.95
<b>Output voltage</b>	24V	24V	24V	24V	24V
<b>Output current</b>	5.00A	6.25A	8.30A	10.00A	16.6A
<b>Output power</b>	120W	150W	200W	240W	400W
<b>Safety</b>	Short circuit and over voltage				
<b>Compliance</b>	Safety : EN61347-2-13.IP40 EMC : EN55015, EN61000-3-2, EN61000-4-2,3,4,5,6,8,11, EN61547				

### EXPECTED FAILURE RATE & LIFE-TIME

<b>Failure rate</b>	tc @ Max 80°C : <0.2% / 1000hrs	
<b>Life-time</b>	ta 35°C	ta 50°C
	>70,000hrs	>50,000hrs

The LED Driver is designed for a minimum life-time stated above with a probability of less than 10% failure.

### ORDERING INFORMATION

47412.24167	120W 24V Constant voltage DALI LED driver
47415.24167	150W 24V Constant voltage DALI LED driver
47420.24167	200W 24V Constant voltage DALI LED driver
47424.24167	240W 24V Constant voltage DALI LED driver
47440.24167	400W 24V Constant voltage DALI LED driver