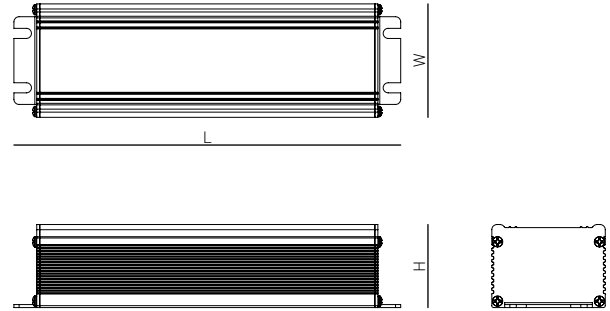


IP67 0-10V CC LED Driver



Specification

	4731.25.67	4731.70.67	4732.35.67	4732.70.67	4733.55.67	4733.70.67
Dimensions	130x44x32	130x44x32	163x56x35	163x56x35	163x56x35	163x56x35
Dimming	0-10V	0-10V	0-10V	0-10V	0-10V	0-10V
IP Rating	IP67	IP67	IP67	IP67	IP67	IP67
Input voltage	180-265VAC	180-265VAC	180-265VAC	180-265VAC	180-265VAC	180-265VAC
Input current	0.06A @230VAC	0.06A @230VAC	0.11A @230VAC	0.11A @230VAC	0.16A @230VAC	0.16A @230VAC
Power factor	> 0.95	> 0.95	> 0.95	> 0.95	> 0.95	> 0.95
Output voltage	30-40V	10-15V	34-57V	10-30V	25-38V	30-42V
Output current	250mA	700mA	350mA	700mA	550mA	700mA
Output power	12W	12W	20W	20W	30W	30W
Weight	550g	550g	550g	550g	550g	550g
Safety	Short circuit and over voltage					
Compliance	Safety : EN61347-2-13.IP40 EMC : EN55015, EN61000-3-2, EN61000-4-2,3,4,5,6,8,11, EN61547					

Expected failure rate & life-time

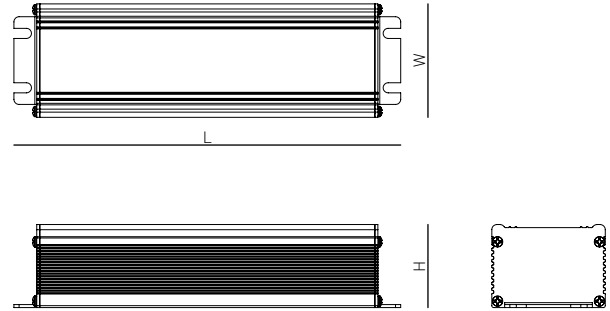
Failure rate	tc @ Max 80°C : <0.2% / 1000hrs	
Life-time	ta 35°C	ta 50°C
	>70,000hrs	>50,000hrs

The LED Driver is designed for a minimum life-time stated above with a probability of less than 10% failure.

Ordering Information

Model	
4731.25.67	12W 250mA IP67 Constant current 0-10V driver
4731.70.67	12W 700mA IP67 Constant current 0-10V driver
4732.35.67	20W 350mA IP67 Constant current 0-10V driver
4732.70.67	20W 700mA IP67 Constant current 0-10V driver
4733.55.67	30W 550mA IP67 Constant current 0-10V driver
4733.70.67	30W 700mA IP67 Constant current 0-10V driver

IP67 0-10V CC LED Driver



Specification

	4734.85.67	4734.100.67	4735.120.67	4736.150.67	4738.200.67
Dimensions	163x56x35	163x56x35	163x56x35	163x56x35	180x70x40
Dimming	0-10V	0-10V	0-10V	0-10V	0-10V
IP Rating	IP67	IP67	IP67	IP67	IP67
Input voltage	180-265VAC	180-265VAC	180-265VAC	180-265VAC	180-265VAC
Input current	0.14A @230VAC	0.14A @230VAC	0.42A @230VAC	0.42A @230VAC	0.46A @230VAC
Power factor	> 0.95	> 0.95	> 0.95	> 0.95	> 0.95
Output voltage	35-53V	30-45V	35-50V	30-40V	30-40V
Output current	850mA	1.0A	1.2A	1.5A	2.0A
Output power	40W	40W	50W	60W	80W
Weight	550g	550g	600g	600g	800g
Safety	Short circuit and over voltage				
Compliance	Safety : EN61347-2-13,IP40 EMC : EN55015, EN61000-3-2, EN61000-4-2,3,4,5,6,8,11, EN61547				

Expected failure rate & life-time

Failure rate	tc @ Max 80°C : <0.2% / 1000hrs	
Life-time	ta 35°C	ta 50°C
	>70,000hrs	>50,000hrs

The LED Driver is designed for a minimum life-time stated above with a probability of less than 10% failure.

Ordering Information

Model	
4734.85.67	40W 850mA IP67 Constant current 0-10V LED driver
4734.100.67	40W 1.0A IP67 Constant current 0-10V LED driver
4735.120.67	50W 1.2A IP67 Constant current 0-10V LED driver
4736.150.67	60W 1.5A IP67 Constant current 0-10V LED driver
4738.200.67	80W 2.0A IP67 Constant current 0-10V LED driver