

30W DALI DT8 LED Driver(Constant Voltage)

70220050

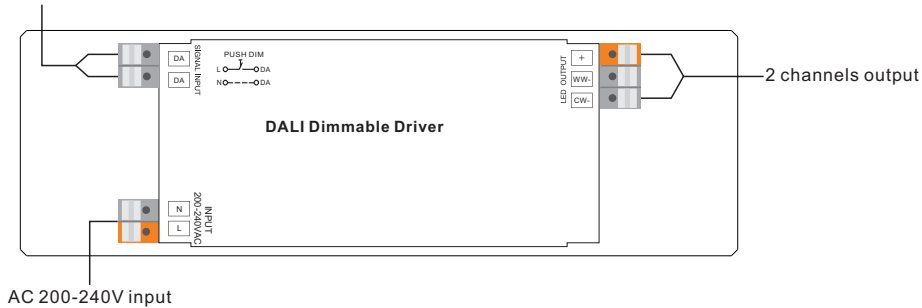


I B L

Important: Read All Instructions Prior to Installation

Function introduction

DALI/ Push signal input



Product Data

Output	LED Channel	2	
	DC Voltage	12V DC	24V DC
	Max. Current	Max. 2.5A/ch, ch1+ch2=2.5A	Max. 1.25A/ch, ch1+ch2=1.25A
	Voltage Tolerance	± 1%	
	Rated Power	max. 30W	
Input	Voltage Range	200-240V AC	
	Frequency Range	50/60Hz	
	Power Factor (Typ.)	> 0.9 @ 230VAC	
	Total Harmonic Distortion	THD ≤ 15% (@ full load / 230VAC)	
	Efficiency (Typ.)	83% @ 230VAC full load	
	AC Current (Typ.)	0.17A @ 230VAC	
	Inrush Current (Typ.)	COLD START Max. 2A at 230VAC	
Control	Leakage Current	< 0.5mA /230VAC	
	Dimming Interface	DALI Dt8 (DALI consumption < 2mA)/Push	
	Dimming Range	0.1%-100%	
	Dimming Method	Pulse Width Modulation	
	Dimming Curve	Logarithmic	

Protection	Over Current	Yes, recovers automatically after fault condition is removed
	Over Temperature	Yes, recovers automatically after fault condition is removed
Environment	Working Temp.	-20°C ~ +45°C
	Max. Case Temp.	85°C (Ta= "45°C")
	Working Humidity	10% ~ 95% RH non-condensing
	Storage Temp. & Humidity	-40°C ~ +80°C, 10% ~ 95% RH
Safety & EMC	Safety Standards	EN61347-1, EN61347-2-13
	Withstand Voltage	I/P-O/P: 3.75KVAC
	Isolation Resistance	I/P-O/P: 100M Ohms / 500VDC / 25°C / 70% RH
	EMC Emission	EN55015, EN61000-3-2, EN61000-3-3
	EMC Immunity	EN61547, EN61000-4-2,3,4,5,6,8,11, surge immunity Line-Line 1KV
Others	MTBF	190900H, MIL-HDBK-217F @ 230VAC full load and 25°C ambient temperature
	Dimension	170x53.4x28mm (L*W*H)

- DALI DT8 Dimmable LED driver for tunable white, max. output power 30W
- In compliance with IEC 62386-101:2014, IEC 62386-102:2014, IEC 62386-207 Ed2, IEC 62386-209:2011
- Built-in DALI-2/ Push interface, DALI DT8 device
- 2 channels 12VDC/24VDC constant voltage output
- Class II power supply, full isolated plastic case
- High power factor and efficiency
- DALI DT8 device to control Warm White and Cool White output via a single DALI address
- Color temperature adjustment according to DALI specifications of Device Type 8, Color Type Tc.
- Compatible with universal DALI masters that support DT8 commands
- Error report function
- IP20 rating, suitable for indoor LED lighting applications
- 5 years warranty

Safety & Warnings

- DO NOT install with power applied to the device.
- DO NOT expose the device to moisture.

Operation

1. DALI Address

1 DALI address for 2 channels output are assigned by DALI Master controller automatically, please refer to user manuals of compatible DALI Masters for specific operations.

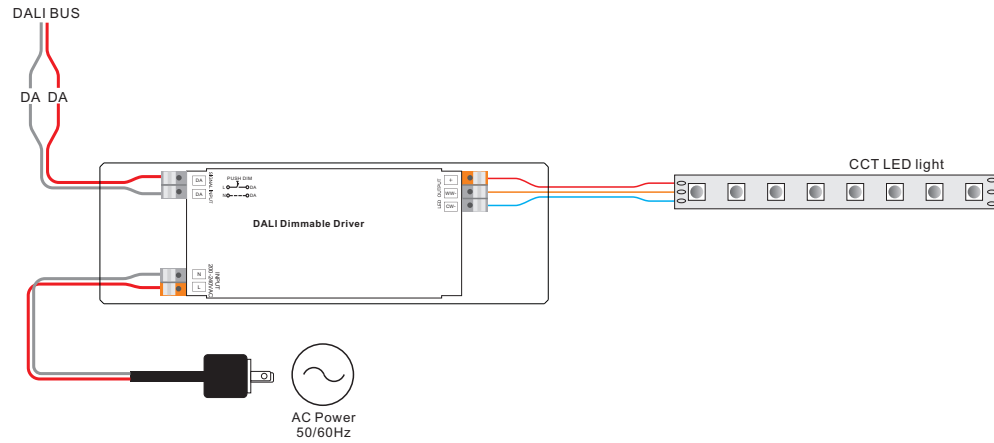
2. PUSH Dimmer Mode

While connected with a AC PUSH, the driver is working under Push Dimmer Mode, operations under Push Dimmer Mode are as follows:

- 2.1. Click the button to switch ON/OFF
- 2.2. Press and hold down the button to increase or decrease light intensity to desired level and release it, then repeat the operation to adjust light intensity to opposite direction.
- 2.3. Memory function after power off or power failure enables the device to memorize the status before power off while power on again.

Wiring Diagram

1. With DALI Bus



2. With PUSH dimmer



Product Dimension

