

200W DALI LED Driver(constant voltage)

70220021

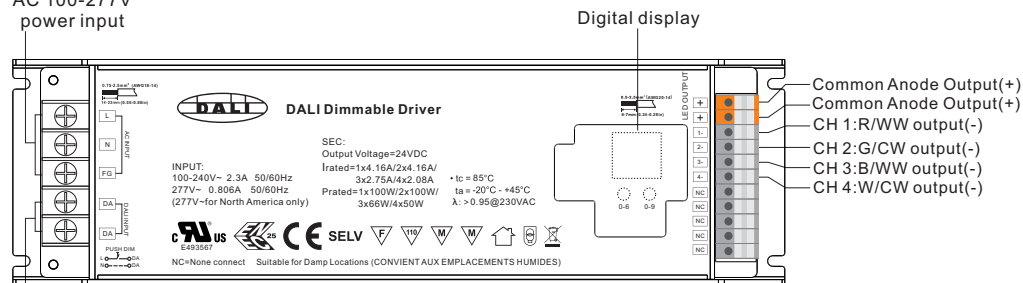


Important: Read All Instructions Prior to Installation

I B L

Function introduction

AC 100-277V
power input



DALI/ Push Signal input

Product Data

Output	LED Channel	4	
	DC Voltage	12V DC	24V DC
	Max. Current	Max. 8.3A/ch, ch1+ch2+ch3+ch4=16.6A	Max. 4.1A/ch, ch1+ch2+ch3+ch4=8.4A
	Voltage Tolerance	± 1%	
	Rated Power	max. 200W	
Input	Voltage Range	100-277V AC	
	Frequency Range	50/60Hz	
	Power Factor (Typ.)	> 0.98 @ 230VAC	
	Total Harmonic Distortion	THD ≤ 15% (@ full load / 230VAC)	
	Efficiency (Typ.)	93% @ 230VAC full load	
	AC Current (Typ.)	2.3A @ 100VAC, 1A @ 230VAC, 0.9A@277VAC	
	Inrush Current (Typ.)	COLD START Max. 65A at 230VAC	
	Leakage Current	< 0.5mA /230VAC	
Control	Standby Power Consumption	< 1W	
	Dimming Interface	DALI (DALI consumption < 2mA)/PUSH	
	Dimming Range	0.1%-100%	
	Dimming Method	Pulse Width Modulation	
	Dimming Curve	Logarithmic	

Protection	Over Current	Yes, recovers automatically after fault condition is removed
	Over Temperature	Yes, recovers automatically after fault condition is removed
Environment	Working Temp.	-20°C ~ +45°C
	Max. Case Temp.	85°C (Ta="45°C")
	Working Humidity	10% ~ 95% RH non-condensing
	Storage Temp. & Humidity	-40°C ~ +80°C, 10% ~ 95% RH
Safety & EMC	Safety Standards	UL8750, CAN/CSA C22.2 No. 250.13-14, EN61347-1, EN61347-2-13 approved
	Withstand Voltage	I/P-O/P: 3.75KVAC
	Isolation Resistance	I/P-O/P: 100M Ohms / 500VDC / 25°C / 70% RH
	EMC Emission	EN55015, EN61000-3-2, EN61000-3-3
	EMC Immunity	EN61547, EN61000-4-2,3,4,5,6,8,11, surge immunity Line-Line 1KV
	Others	MTBF

- Dimmable LED driver with rectangle metal case
- In compliance with IEC 62386-101:2014, IEC 62386-102:2014, IEC 62386-207 Ed2.
- Built-in DALI-2 interface, DALI DT6 device
- 4 channels 12/24VDC constant voltage output
- Class 1 power supply, full isolated metal case
- Built-in two-stage active PFC function
- PF > 0.98, Efficiency > 93%
- Low standby power < 1W
- Max.7pcs Driver on 13A circuit breaker
- Max.9pcs Driver on 16A circuit breaker
- PWM digital dimming, standard DALI logarithmic dimming curve
- DALI addresses quantity can be set as 1/2/3/4
- Enables to control single color, CCT (needs 2 DALI addresses), RGB (needs 3 DALI addresses), RGBW (needs 4 DALI addresses) LED lighting
- Compliant with Safety Extra Low Voltage standard
- Over load, over temperature protection
- IP20 rating, suitable for indoor LED lighting applications
- 5 years warranty

Safety & Warnings

- DO NOT install with power applied to the device.
- DO NOT expose the device to moisture.

Operation

1.Set DALI Address Manually Via Buttons



- 1.1 Press and hold down any of the two buttons until numeric digital display flashes, then release the button.
- 1.2 Click any of the two buttons once to select a digit, click again to change the digit until the desired DALI

address appears. Click first button to set “tens” position and second button to set “units” position. The address can be set from 00–63.

1.3 Then press and hold down any of the 2 buttons until the numeric digital display stops flashing to confirm the setting.

Note: DALI address can be manually assigned from 00-63-FF, by factory defaults, no DALI address is

assigned for the driver, and the display shows **FF**. Setting DALI address as **FF** will reset the dimmer to factory defaults.

2. DALI Address Assigned by DALI Masters

2.1 DALI address can also be assigned by DALI Master controller automatically, please refer to user manuals of compatible DALI Masters for specific operations.

Note: The digital display will show AU when the DALI master is assigning addresses.

3. Set DALI Address Quantity



- 3.1 Press and hold down both of the two buttons until numeric digital display flashes, then release the button.
- 3.2 Click first button to select “1A”, “2A”, “3A” or “4A” which means 1, 2, 3 or 4 addresses.
- 3.3 Then press and hold down any of the 2 buttons until the numeric digital display stops flashing to confirm the setting.



- For example, when we set address to 22:
- When select 1A, both 4 channels will be the same address 22.
 - When select 2A, channel 1&3 will be address 22, channel 2&4 will be address 23.
 - When select 3A, channel 1, 2, 3 will be address 22, 23, 24 respectively, channel 4 will be address 22.
 - When select 4A, channel 1, 2, 3, 4 will be address 22, 23, 24, 25 respectively.

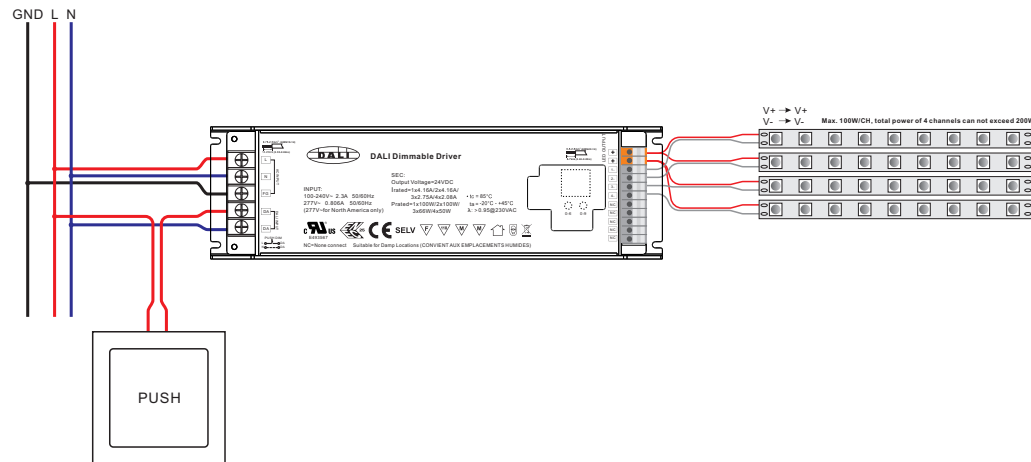
4. PUSH Mode

While connected with a AC push switch, the digital display will show “PD” which means Push Dimmer Mode, operations under PUSH Mode are as follows:

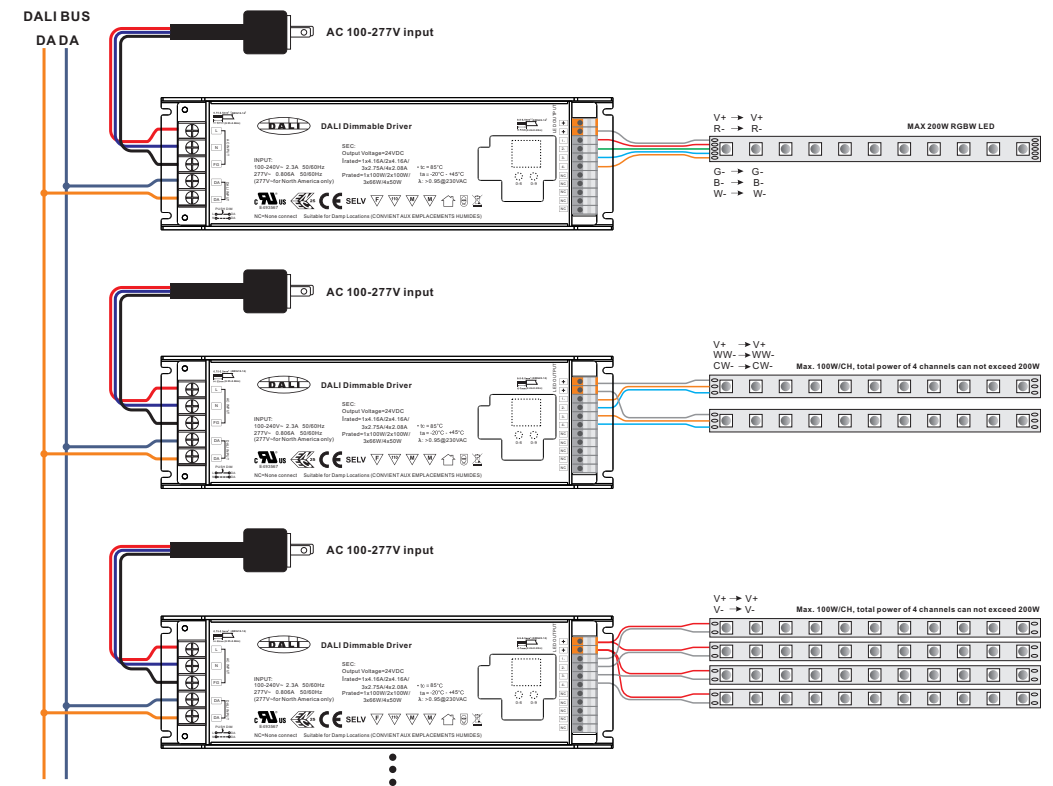
- 4.1. Click the button to switch ON/OFF.
- 4.2. Press and hold down the button to increase or decrease light intensity to desired level and release it, then repeat the operation to adjust light intensity to opposite direction.
- 4.3. Memory function after power off or power failure enables the device to memorize the status before power off while power on again.

Wiring diagram

1. With PUSH dimmer



2. With DALI bus



Product Dimension

