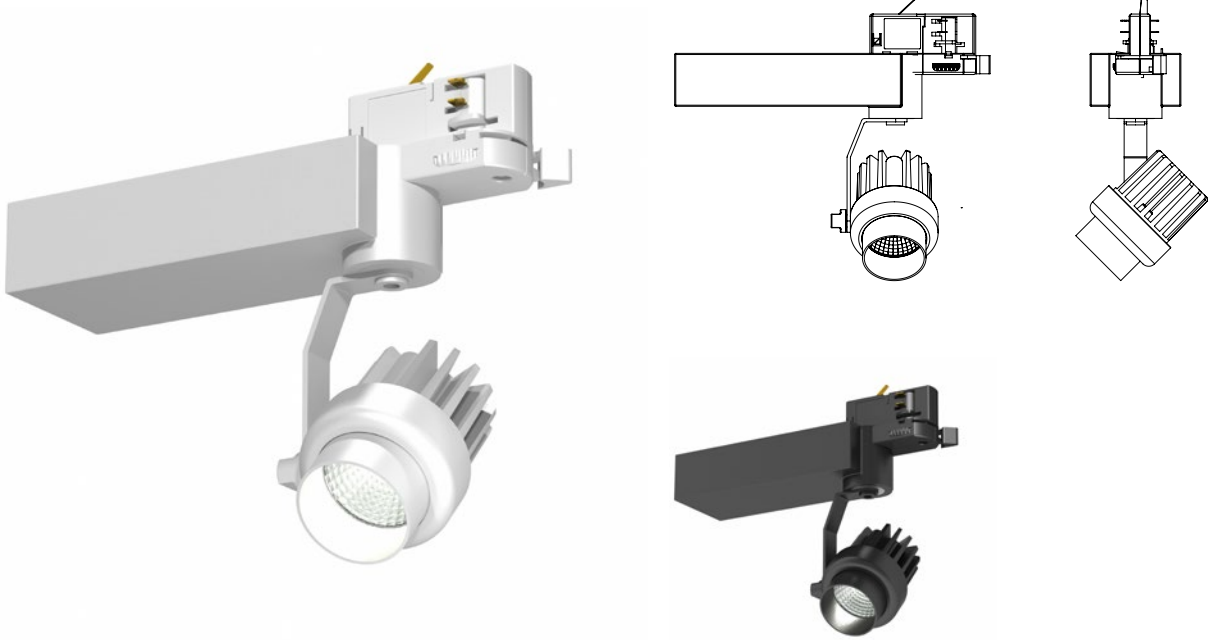


## X Spot



### Features

- Energy saving
- Full intensity from switch on
- Wide range of LED CCTs and reflectors
- Warm Dim 3000°K-2000°K option
- CREE 2 step McAdam LEDs
- CRI >95 available on request
- Long life L70 50,000 hrs based on LM-80 & TM-21 applicable test data
- Integral constant current driver with S.E.L.V. output
- Mains phase, 0-10V and DALI dimming options available
- 5 Year warranty

### Luminaire Specification

<b>Luminaire material</b>	Die cast Aluminium with textured powder coat.
<b>IP Rating</b>	IP20
<b>Driver</b>	Integral
<b>Mounting</b>	Multi circuit mains track

### LED Specification

<b>LED</b>	B / C : CREE CXB
<b>Output</b>	B / 8.6W : 1038lm (120lm/W) C / 12W : 1600lm (134lm/W) CW / 13W : 935lm (71lm/W)
<b>CRI/CCT</b>	2700°K, 3000°K, 4000°K, 5000°K >80Ra as standard >90Ra option 90Ra : Warm Dim
<b>Optics</b>	Narrow 20°, medium 30°, wide 40°, flood 60°
<b>Drive current</b>	B : 250mA C / CW : 350mA

### Ordering Information example 2424.233C3

Model	Finish	LED CCT	Driver	Version	Mounting
2482. Narrow 20°	1 White	2 2700°K	1 Non-dimming	B 8.6W	3 Multi circuit track
2483. Medium 30°	2 Black	3 3000°K	2 Phase dimming	C 12W	
2484. Wide 40°	7 Silver	4 4000°K	3 0-10V Dimming <sup>(ii)</sup>	CW 13W <sup>(iii)</sup>	
2486. Flood 60°		5 5000°K	4 DALI Dimming <sup>(iii)</sup>		